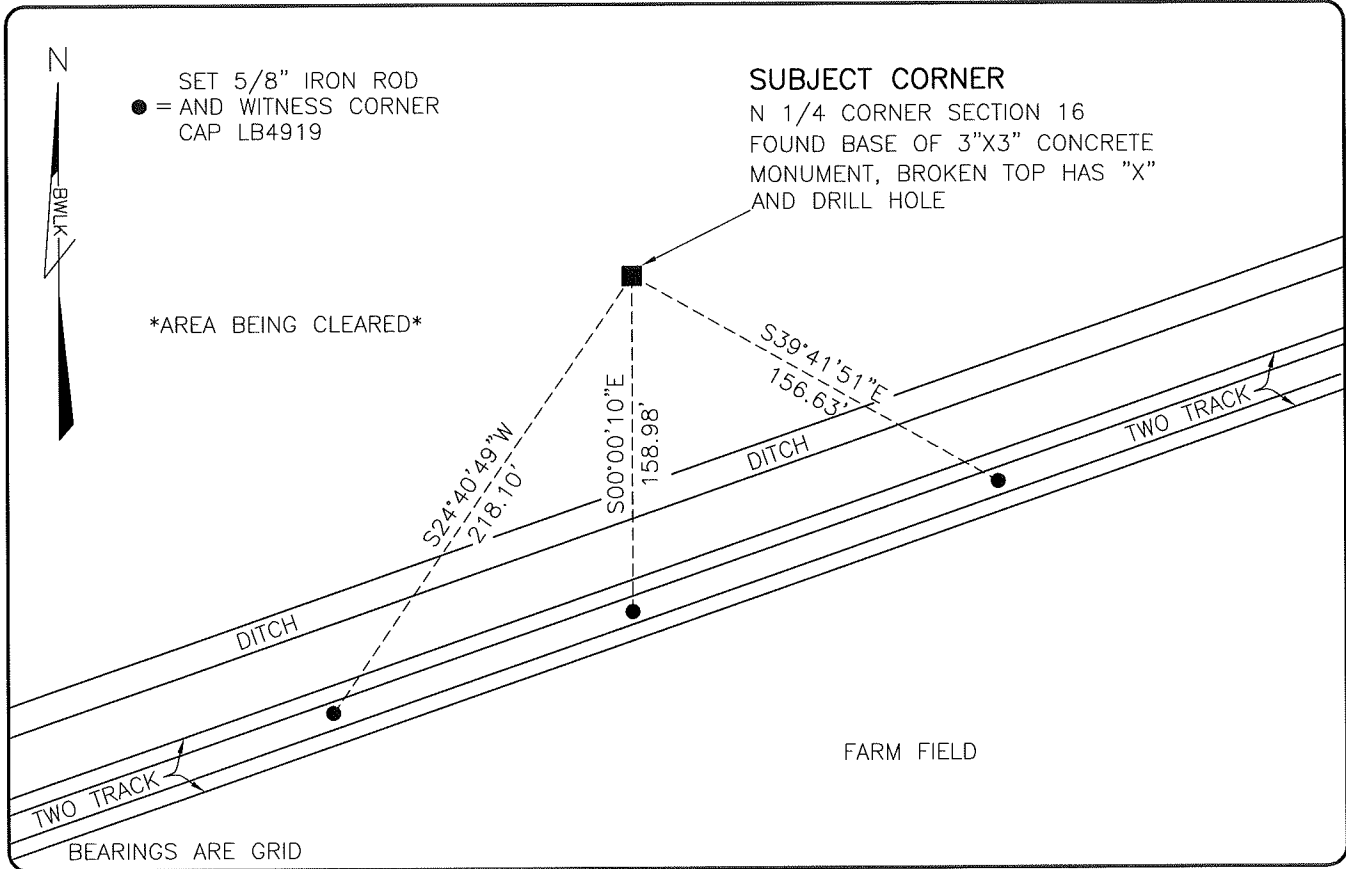


LAND CORNER RECORD

**PUBLIC WORKS
LEE COUNTY, FLORIDA**

Address - 1500 Monroe St., Ft. Myers, Fla. 33901

Phone : (239) 479-8900

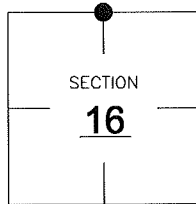


COMMENTS:

FOUND SUBJECT CORNER IN HARMONY WITH HISTORICAL RECORDS.

CORNER DESCRIPTION

N 1/4 Corner
Section 16
Township 46
Range 26



HORIZONTAL POSITION INFORMATION

Florida West Zone, NAD 1983(2007 Adjustment)

Northing(ft) 780085.46 Easting(ft) 748778.24

Latitude 26°28'46.3005" Longitude 81°43'00.7537"

Scale Factor 0.99995

EXISTING CERTIFIED CORNER RECORDS

Document No.	Date
<u>28380</u>	<u>3-4-88</u>

The above documents are based on FDEP Bureau of Surveying and Mapping Record Information.

I hereby certify the monument and accessories shown above were field located on 1-8-09.

SCOTT C. WHITAKER
Professional Surveyor and Mapper
Florida Certificate No. 4324
Date Signed 2/2/09

BEAN, WHITAKER, LUTZ & KAREH, INC. (LB 4919)
13041 McGregor Boulevard
Fort Myers, Florida 33919-5910
Phone: (239) 481-1331

POINT NO. 14104

BLM REFERENCE NO. T46SR26E340500